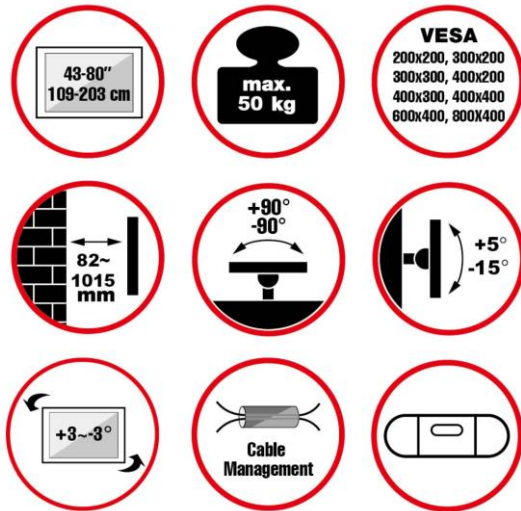
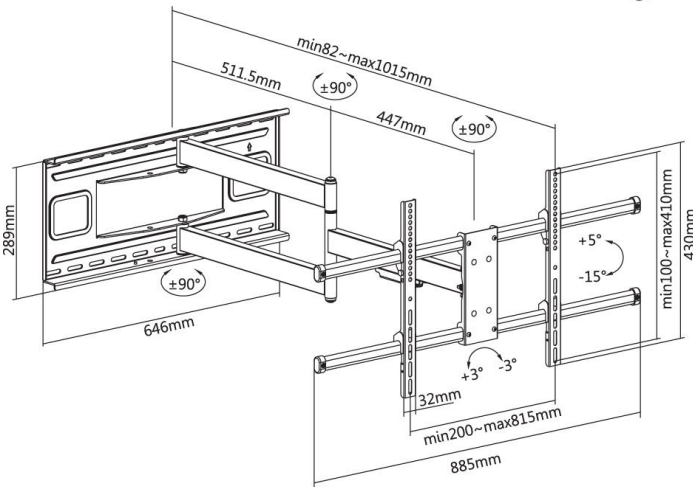


reflecta PLE XO XL 80-8040T



Product information:

- Universal extra long arm full motion TV wall mount
- Max. loading weight 50 kg
- Vesa: 200x200, 300x200, 300x300, 400x200, 800x400, 400x300, 400x400, 600x400
- 43-80" (109-203 cm)
- Distance to wall: 82-1015 mm
- Tilt: +5° / -15°
- Swivel: +/-90°
- Cable management
- Water level

Code: 23161
EAN: 4005039231612

Specifications subject to change without prior notice.



reflecta gmbh

Merkurstrasse 8
D-72184 Eutingen

Phone: +49 (0) 7457 9465-60

Fax: +49 (0) 7457 9465-72

e-mail: mail@reflecta.de

http: www.reflecta.de